



MAIN DATA

BUILT 2010 – CHINA

GENERAL CARGO SHIP – DOUBLE SIDE-SKIN – STRENGTHENED FOR HEAVY CARGOES – NEARLY BOX-SHAPED – OPEN-HATCHES – FOLDING TYPE – UNRESTRICTED NAVIGATION - ICE CLASSED

CLASS RINA

IMO N. 9545948

FLAG ITALY / HOMEPORT NAPLES

CALL SIGN: I C O F

GT 7.988 / NT 4.126

LENGTH OVERALL 140,30 M.

LENGTH BETWEEN PERPENDICULARS 131,00 M.

BREADTH MOULDED 20,00 M.

DEPTH 10,50 M.

DEADWEIGHT 12.200 MT. ON 7,80 M. MEAN DRAFT

GEARED 2 X 25 MT. MAX

EQUIPPED WITH BOW-THRUSTER

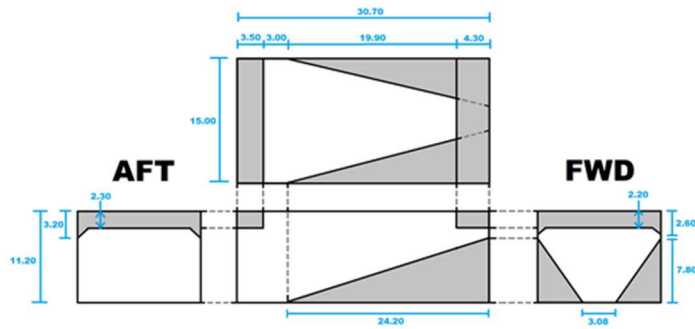
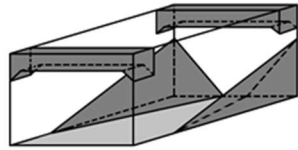
HOLDS/HATCHES DIMENSIONS AND CAPACITY

HOLD	DIMENSIONS	CAPACITY	HATCHES DIMENSIONS
HOLD NUMBER 1:	30,70 x 15,00 x 11,20 M	156.852 CBFT / 4.440 CBM	23,00 MTRS. X 15,00
HOLD NUMBER 2:	32,80 x 15,00 x 11,20 M	187.914 CBFT / 5.319 CBM	24,50 MTRS. X 15,00
HOLD NUMBER 3:	32,20 x 15,00 x 11,20 M	177.422 CBFT / 5.022 CBM	24,50 MTRS. X 15,00 MTRS
TOTAL		522.188 CBFT / 14.781 CBM	

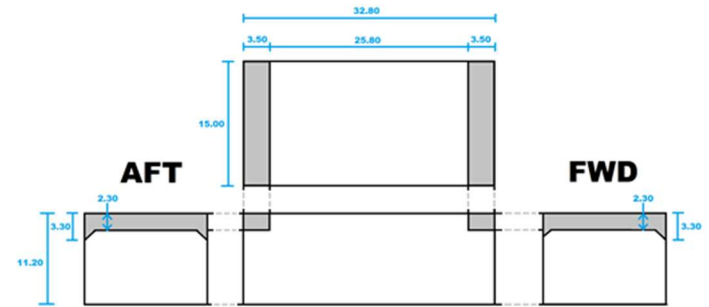
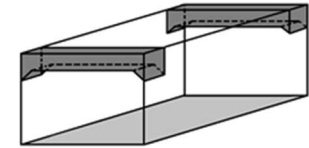


HOLDS/HATCHES DIMENSIONS AND CAPACITY

CARGO HOLD Nr. 1



CARGO HOLD Nr. 2



CARGO HOLD Nr. 3

